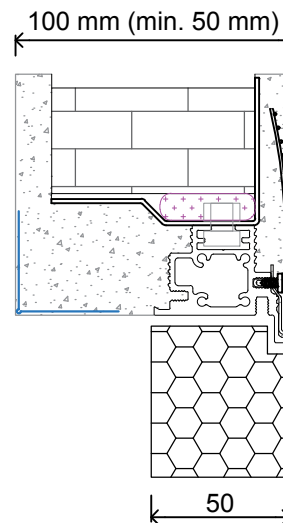
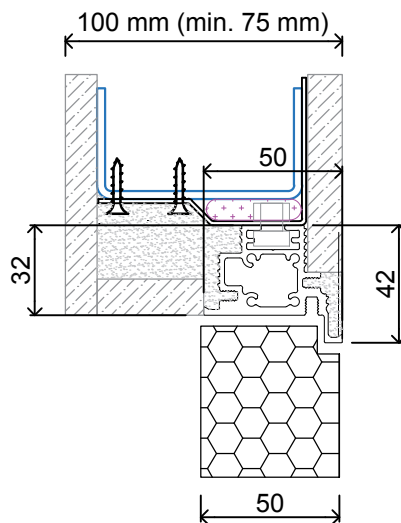
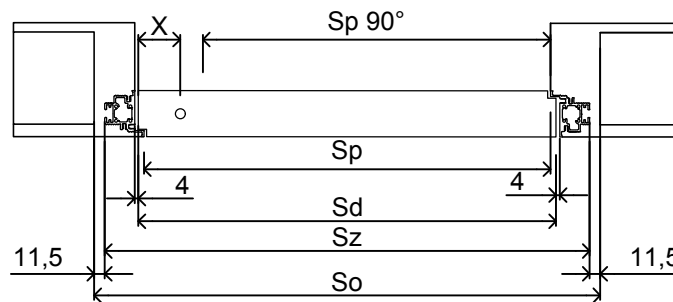
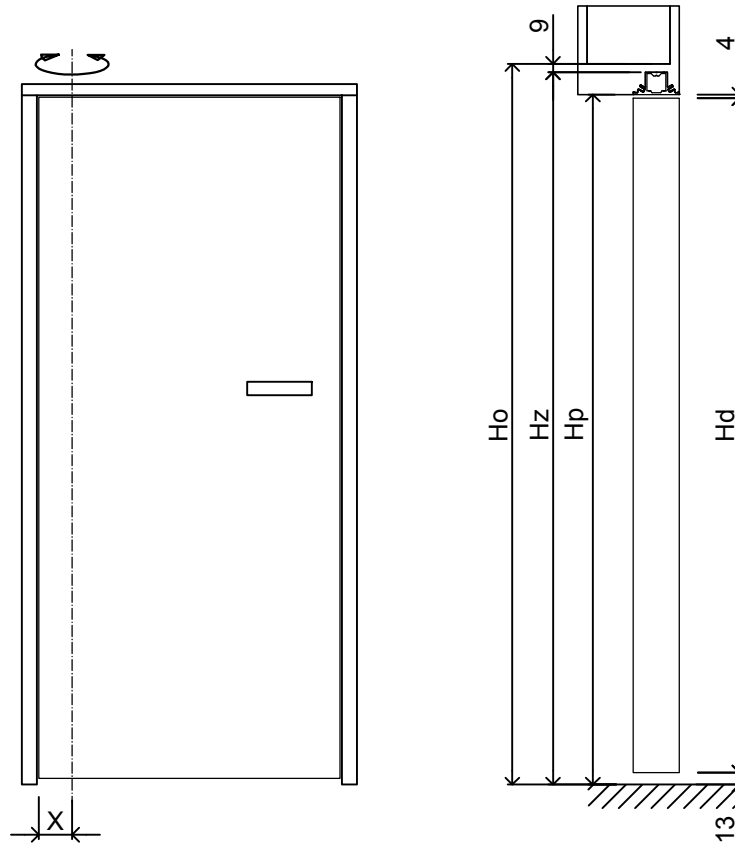


single - with the hinge close to the edge

max. 100 kg



standard dimensions

Door leaf height Hd [mm]	Wall opening height to Ho [mm]	External height of door frame Hz [mm]	Passageway height Hp [mm]
2020	2070	2061	2037
2200	2250	2241	2217
2400	2450	2441	2417

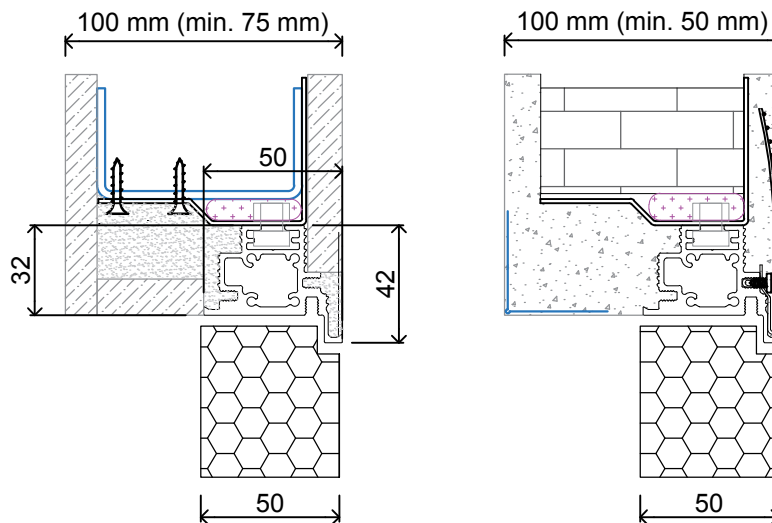
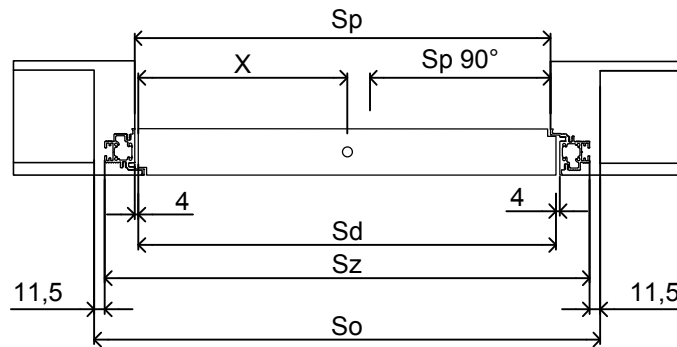
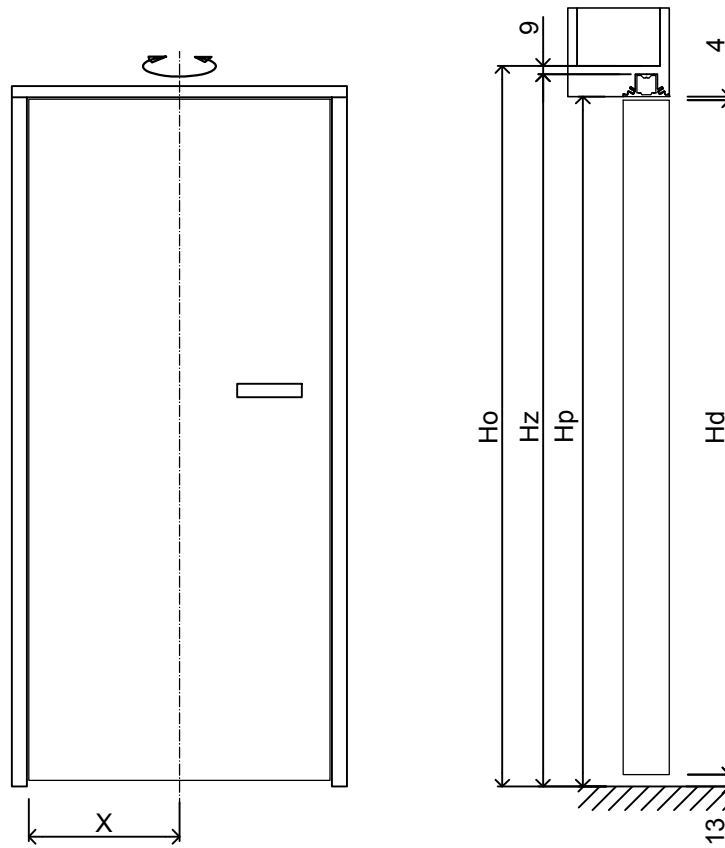
Module	Door leaf width Sd [mm]	Wall opening width So [mm]	External width of door frame Sz [mm]	Passageway width Sp [mm]
80	720	816	793	708
90	820	916	893	808
100	920	1016	993	908

X = 59,5mm

Sp90° = Sp - 79mm

single - with a hinge in the middle

max. 100 kg



standard dimensions

Door leaf height Hd [mm]	Wall opening height to Ho [mm]	External height of door frame Hz [mm]	Passageway height Hp [mm]
2020	2070	2061	2037
2200	2250	2241	2217
2400	2450	2441	2417

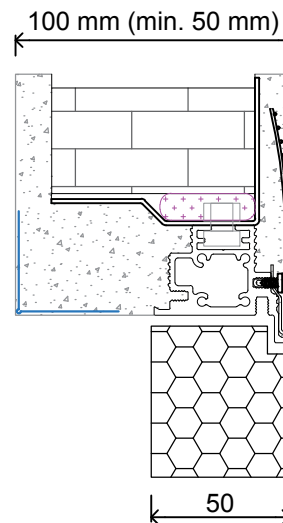
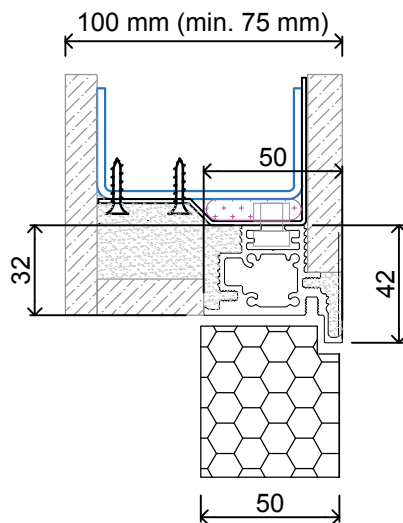
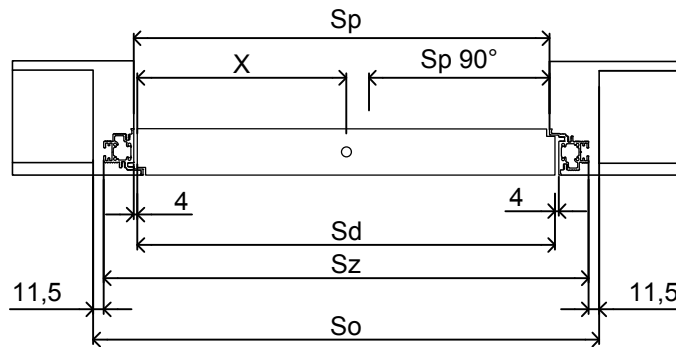
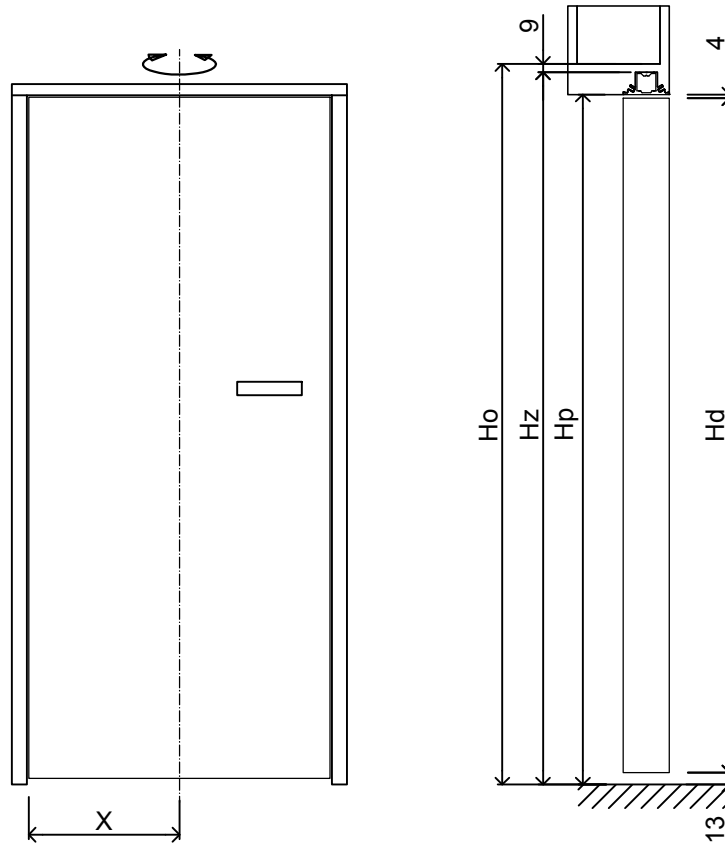
Module	Door leaf width Sd [mm]	Wall opening width So [mm]	External width of door frame Sz [mm]	Passageway width Sp [mm]
120	1120	1216	1193	1108
130	1220	1316	1293	1208
140	1320	1416	1393	1308

$X = \min 100\text{mm} \div \max \frac{1}{2}Sd$

$Sp90^\circ = Sp/2 - 25\text{mm}$

single - with a hinge in the middle

max. 100 kg



standard dimensions

Door leaf height Hd [mm]	Wall opening height to Ho [mm]	External height of door frame Hz [mm]	Passageway height Hp [mm]
2020	2070	2061	2037
2200	2250	2241	2217
2400	2450	2441	2417

Module	Door leaf width Sd [mm]	Wall opening width So [mm]	External width of door frame Sz [mm]	Passageway width Sp [mm]
110	1120	1216	1193	1108
120	1220	1316	1293	1208
130	1320	1416	1393	1308

$X = \min 100\text{mm} \div \max \frac{1}{2}Sd$

$Sp90^\circ = Sp/2 - 25\text{mm}$