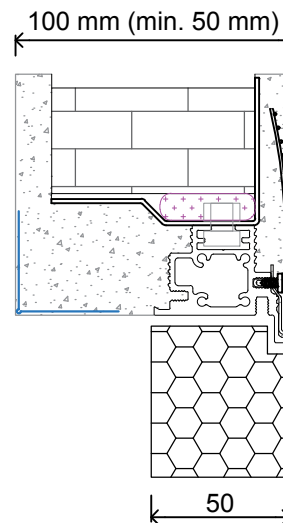
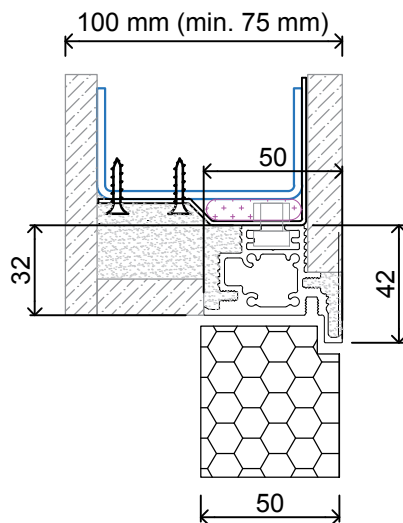
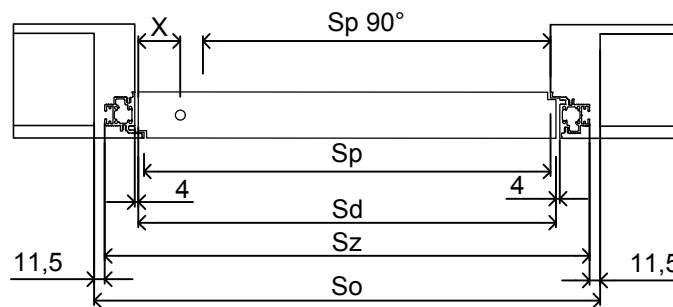
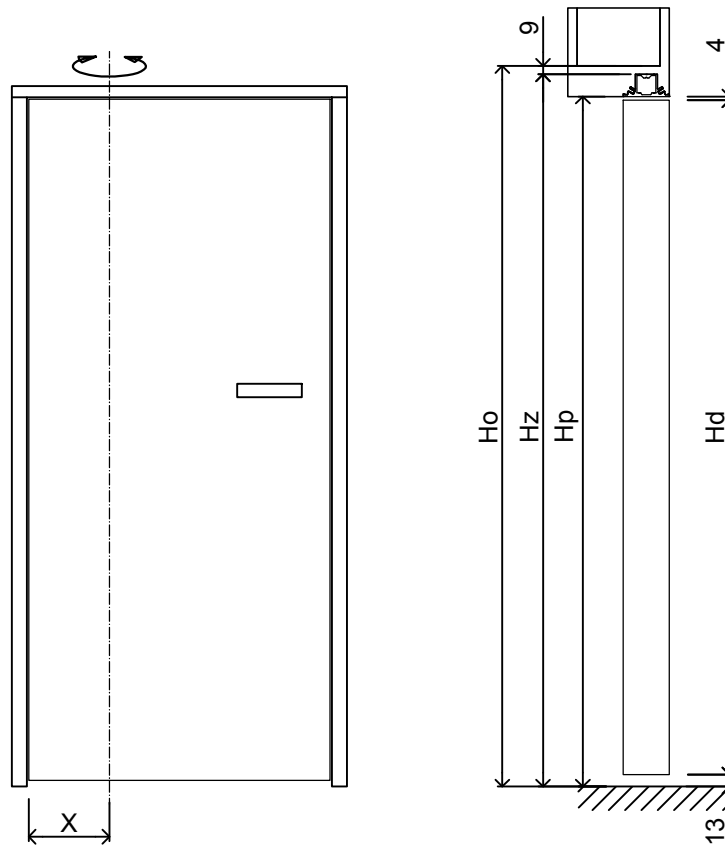


single

max. 200 kg



standard dimensions

Door leaf height Hd [mm]	Wall opening height to Ho [mm]	External height of door frame HZ [mm]	Passageway height Hp [mm]
2020	2070	2061	2037
2200	2250	2241	2217
2400	2450	2441	2417

Module	Door leaf width Sd [mm]	Wall opening width So [mm]	External width of door frame Sz [mm]	Passageway width Sp [mm]
80	720	816	793	708
90	820	916	893	808
100	920	1016	993	908

$X = \min 95\text{mm} \div \max \frac{1}{2}Sd$

$Sp90^\circ = Sp - X - 19\text{mm}$